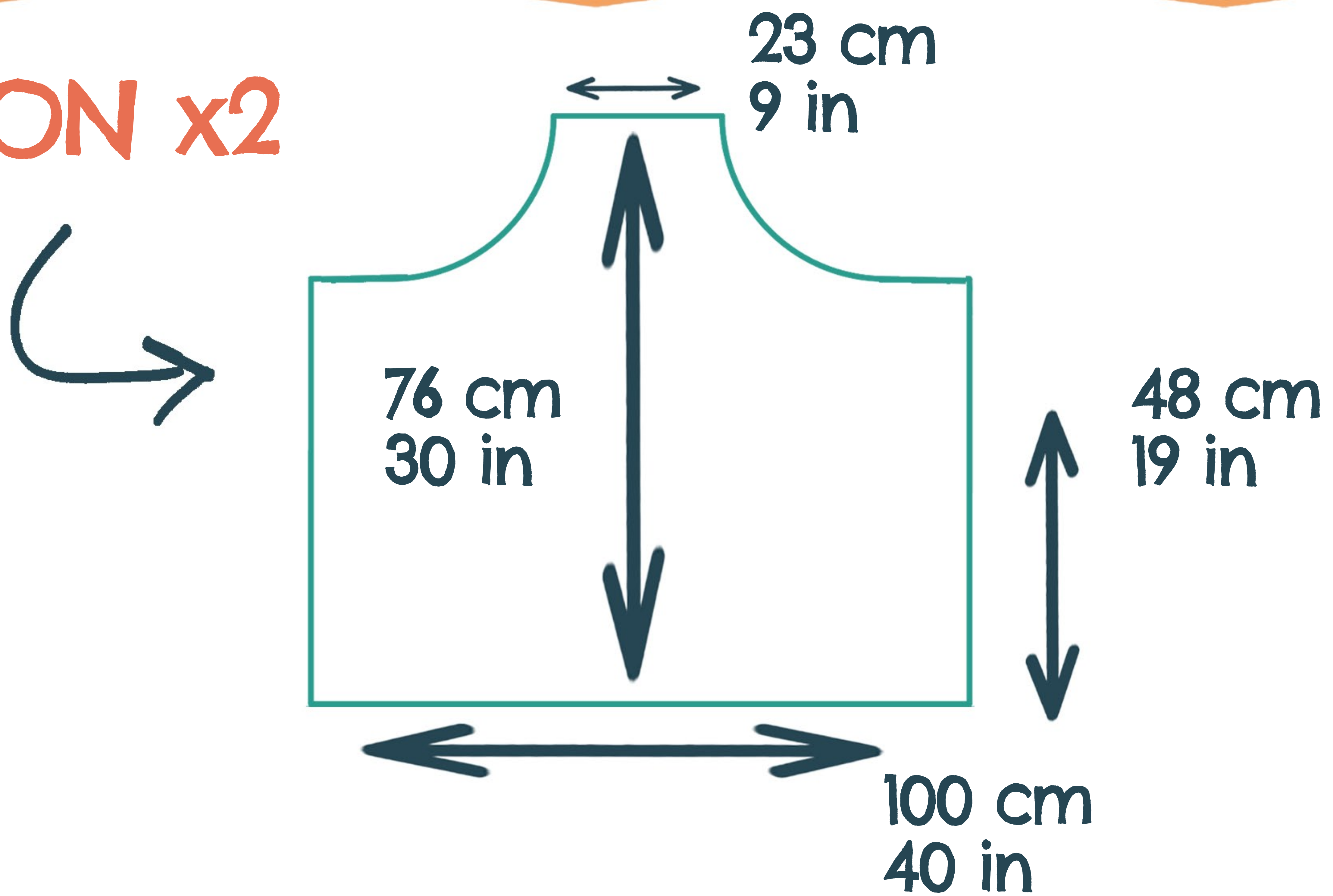
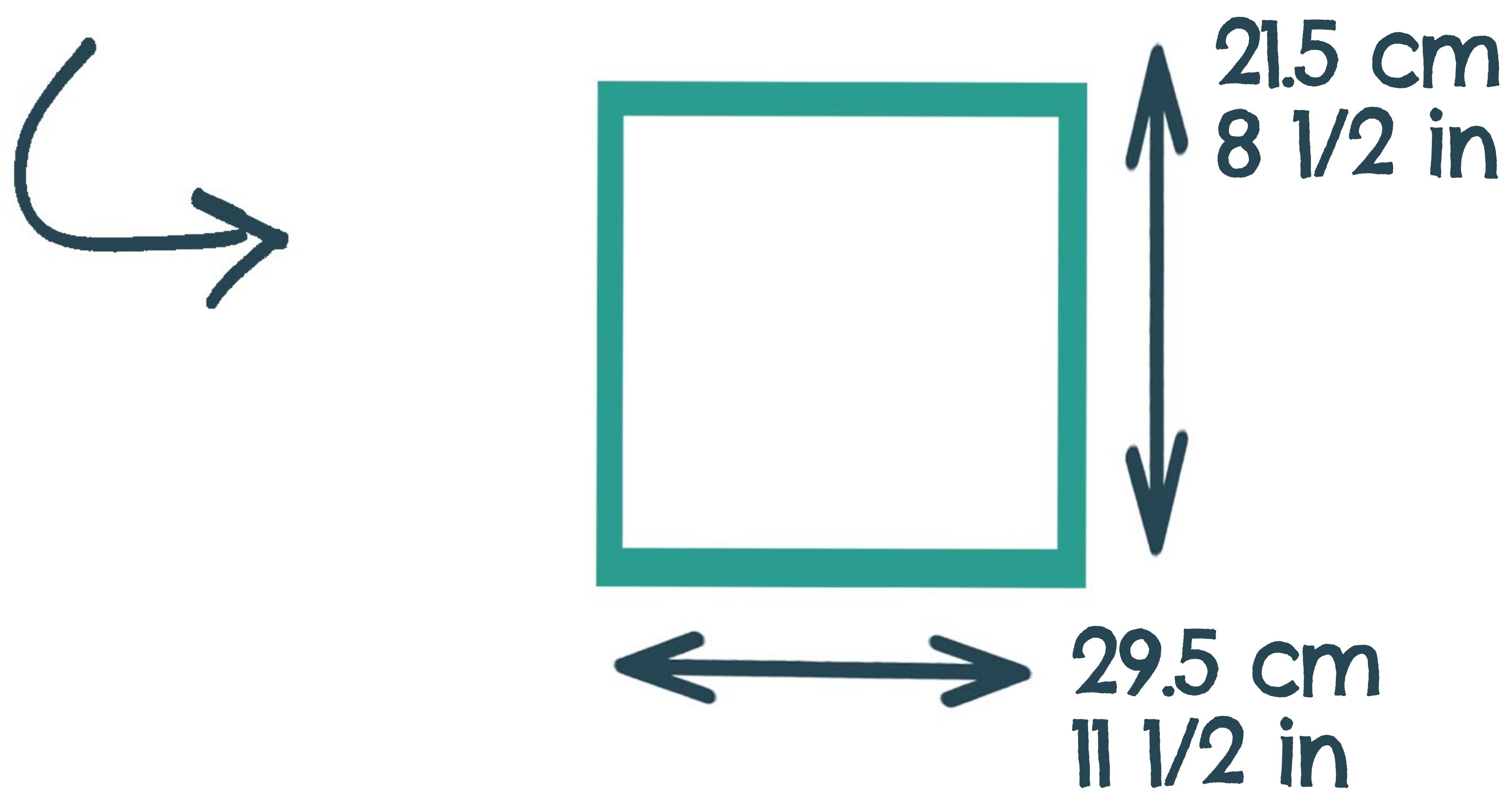


# PATTERNS

## APRON x2



## POCKET x1 or 2



## STRAP x2

